

高清一体化云台摄像机

HD IP Camera

快速安装指南

Quick Start Guide

一 前言

感谢您购买我司产品，如对本公司产品有疑问或需要，请随时和我们联系。

此内容（手册）的目的是确保用户正确使用本产品，以避免危险或财产损失。在使用产品之前，请认真阅读此手册并妥善保存以备日后参考。如果用户因没有按照以下安全说明，致使设备不能正常使用或损坏等情况，我司恕不负责，感谢您的配合。

二 安全说明

1. 电源要求

- 请在安装使用设备过程中，严格遵守当地各项电气安全规定。
- 请使用满足安全电压要求的电源，在设备运行之前检查供电电源是否正确。
- 请在安装配线时装入易于使用的断电设备，以便必要时进行紧急断电。
- 保护电源软线免受踩踏或紧压，特别是在插头、电源插座和从装置引出的接点处。
- 请在断电状态下连接网络、电源等线缆，严禁在设备上电的情况下连线。

2. 使用环境要求

- 请使用产品随机附带的电源适配器，使用不符合要求的电源适配器有可能造成设备受损。
- 请勿将摄像机对准强光（如灯光照明、太阳光等处）聚焦，否则容易引起过亮或漏光现象（这并非摄像机故障）也将影响摄像机寿命。
- 请在允许的湿度和温度范围内运输、使用和存储设备。
- 请勿将设备置于潮湿、多尘、极热、极冷、强电磁辐射或照明条件不稳定等场所。
- 请勿让任何液体流入设备，以免内部元件受损。
- 请勿阻挡设备附近的通风口，以免热量积蓄。
- 请在运送设备时，重新以出厂时的包装进行包装，或用同等品质的材质包装。
- 请勿在运输、存储及安装过程中重压、剧烈震动、浸泡设备。
- 请勿安装在非牢固的支架、墙面、或屋顶上，否则会导致人机受损。

工作环境		
供电要求	AC24V±10%，3A	
环境要求	防水、防干扰、防雷击	
温湿度	工作温度	-30°C~+60°C
	工作湿度	0%~90%(无凝结)

3. 日常维护与保养

- 请勿直接触碰设备发热部件，以免烫伤。
- 镜头玻璃沾染灰尘或油脂时，用棉布或镜头清洁布擦拭。若遇污垢难以清除，蘸上少量镜片清洁剂，自镜头中心向外旋转轻轻擦拭，直到干净为止。禁止使用有机溶剂（苯、酒精等）对镜头玻璃和护罩前脸进行除尘、清洁。
- 请不要以任何方式拆卸或修改产品。（对未经认可的修改或维修导致的问题，本公司不承担任何责任）。
- 如果设备工作不正常，请联系经销商或最近的服务中心。

4. 特别声明

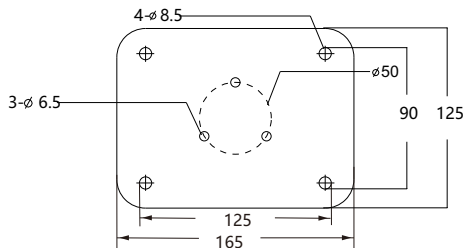
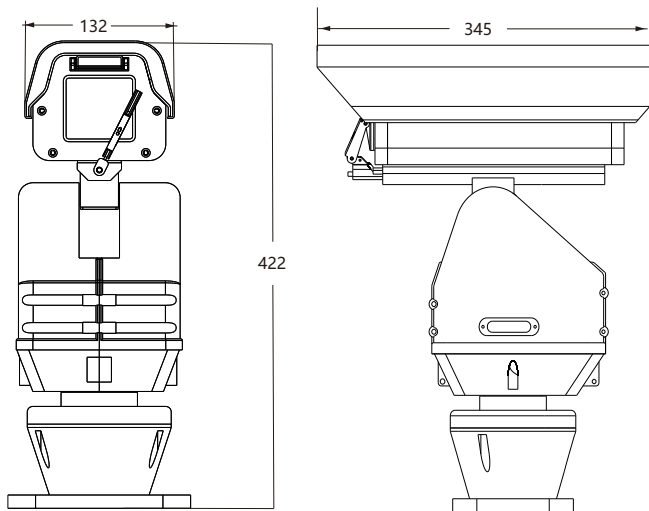
- 本手册中的图示仅供参考，产品请以实物为准。
- 我们尽最大努力来保证本手册信息的正确性，如因升级等原因发生信息修改，恕不另行通知。
- 本手册能作为多个型号产品的使用指导，但不一一列举每个产品的使用情况，请您根据实际产品自行对照。
- 本产品使用 IPCSearch 激活后方能使用（IPCSearch 可在官网下载，下载链接 <https://www.kedacom.com/cn/softtools/index.jhtml>），激活时请填写有效邮箱，方便找回密码。
- 为了提高产品网络使用的安全性，强烈建议您将密码设置为强密码：由数字、大/小写字母或特殊符号中两种或两种以上类型组合而成，且密码长度满足 8-16 位。请您定期更改用户名的密码，建议每 3 个月更新一次密码。如果设备在较高安全风险的环境中使用，建议每月或每周更新一次。请妥善保管好您的用户名与密码。

- 将本产品接入互联网需自担风险，包括但不限于产品可能遭受的网络攻击、黑客攻击、病毒感染等，本公司不对因此造成的产品工作异常、信息泄露等问题承担责任，本公司将及时为您提供产品相关技术支持。
- 如需获取最新文档，请至官网下载，官网地址 www.kedacom.com。

三 设备外观

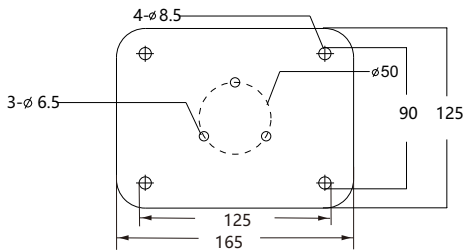
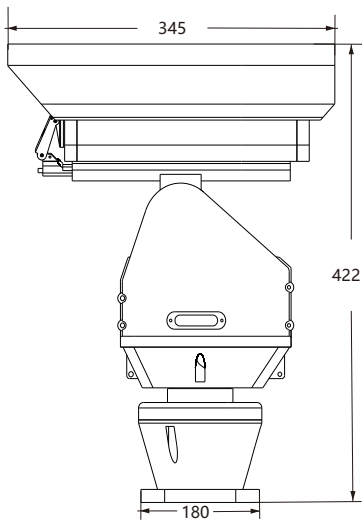
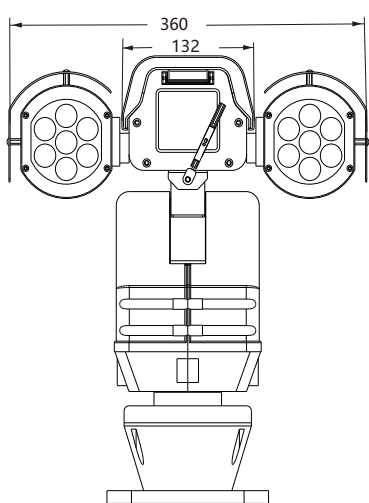
外观尺寸

非红外款



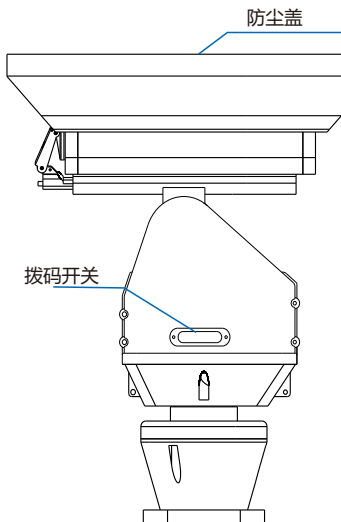
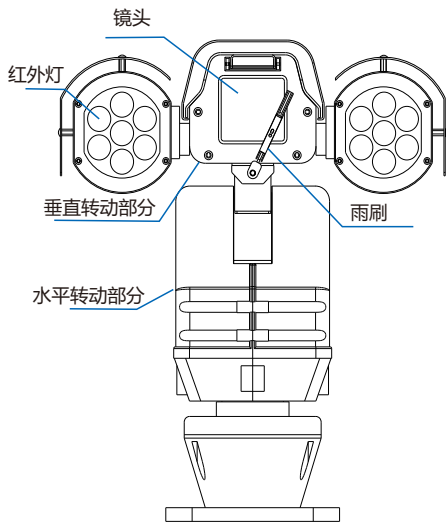
单位: mm

红外款



单位: mm

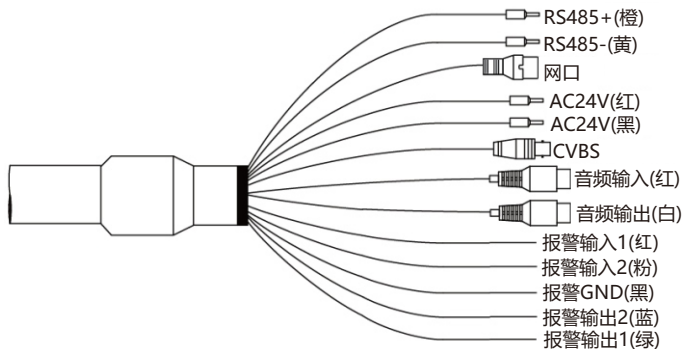
部件说明



重量: 14.5kg (非红外款)
16.0kg (红外款)

- 【注意】** 1) 红外款比非红外款部件上仅多出红外灯。
2) 拨码开关保持出厂默认设置，若无特殊情况，不可自行修改。

尾线说明

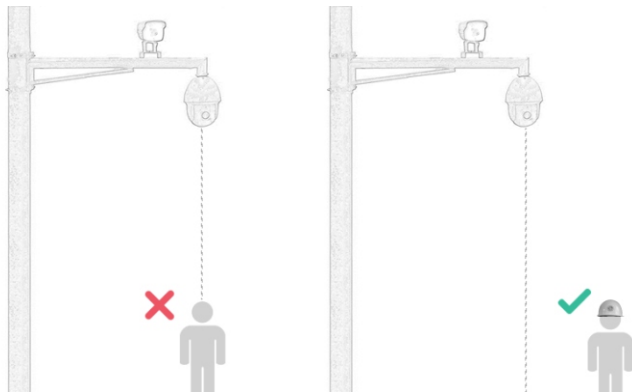


尾线名称	颜色	说明
RS485+	橙	RS485串口，与外接设备交互控制，如接入键盘
RS485-	黄	
网口	-	RJ45网口，连接网络设备
AC24V	红	电源，连接AC24V电源，不分正负极
AC24V	黑	
CVBS	-	视频输出，输出CVBS模拟信号
音频输入	红	音频输入，输入音频信号，连接拾音器等设备
音频输出	白	音频输出，输出音频信号，连接音箱等设备
报警输入1	红	告警输入，输入告警信号，连接声控开关等设备
报警输入2	粉	
报警GND	黑	告警工作接地
报警输出1	绿	告警输出，输出告警信号，端子不分正负。连接报警灯等设备
报警输出2	蓝	

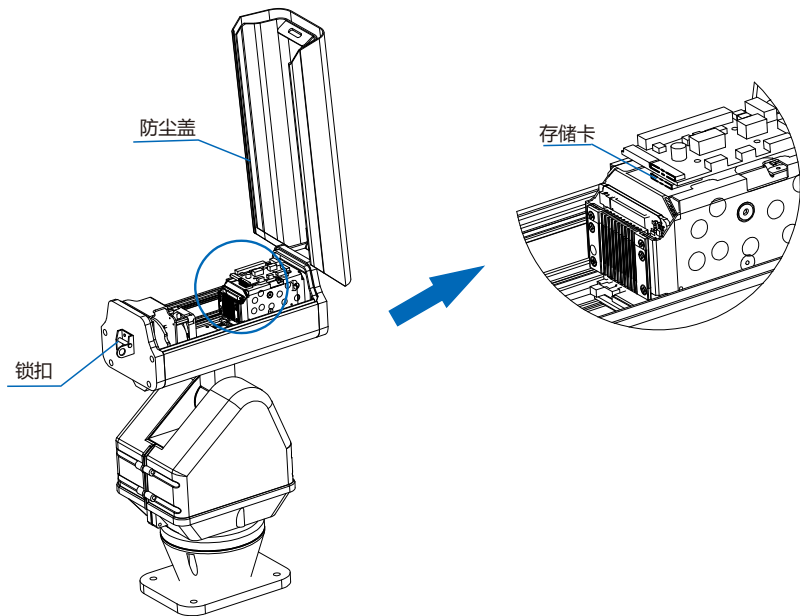
四 设备安装

1. 安装前检查

- 确认安装地点有容纳本产品及其安装结构件的足够空间。
- 请确保安装云台的墙壁的承受能力必须能支撑云台及其安装结构件重量的8倍。
- 没有限高通行的路段，建议摄像机安装高度不低于5米，减少摄像机被碰擦的风险。
- 防止设备掉落，安装摄像机时必须安装安全绳。
- 施工期间禁止人员在摄像机下方2米内活动，并请配戴好安全帽等防护装备。



2. 安装存储卡 (可选)



步骤：旋开锁扣，打开防尘盖。插入Micro SD卡，最大容量支持256G。然后合上防尘盖，请务必锁紧锁扣，若未锁紧密封不严，会导致设备进水。

【注意】 不建议热插拔存储卡，首次使用时需格式化。

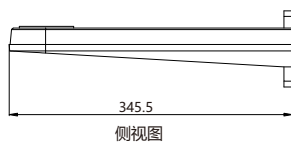
3. 安装方式

设备分为壁装和平面底装两种方式。本手册以非红外款为例介绍安装过程。红外款安装步骤与非红外款安装方法一致。

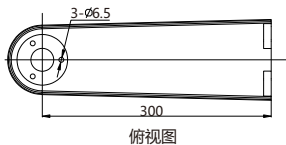
【注意】支架均为选配配件。

壁装

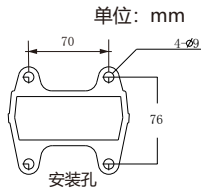
- 我司选配壁装支架尺寸



侧视图

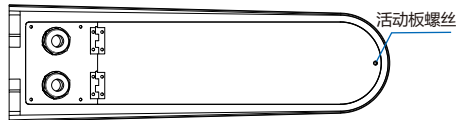
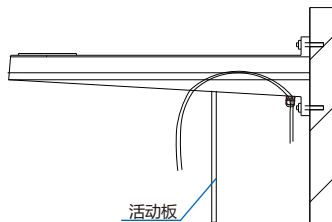


俯视图



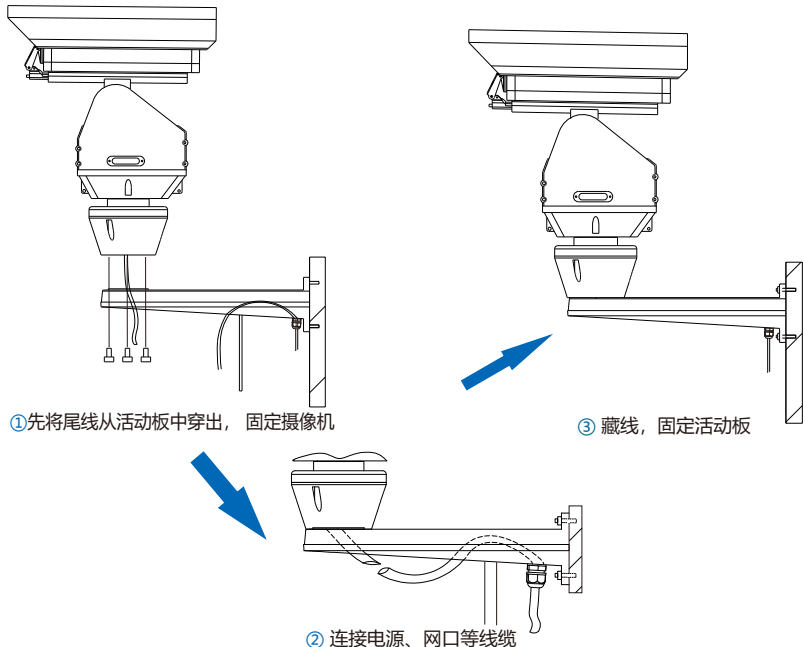
- 安装步骤

- 1) 以壁装支架底面的安装孔为模板，在墙壁上预先画出安装孔位置，并打安装孔；然后将膨胀螺钉预埋在打好的孔内；
- 2) 将支架固定在墙壁上；
- 3) 支架的下方为一活动板，拧下前方的活动板螺丝，可将活动板放下。并将尾线接线引至支架内待用；



活动板俯视图

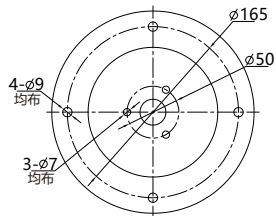
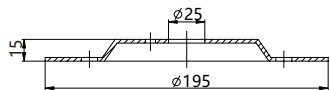
- 4) 将摄像机的尾线从活动板中穿出，然后将云台装在支架上，从支架下方拧上螺丝固定云台，请务必使用M6x20螺丝。连接云台电源、网口等线缆，接头处必须使用绝缘胶布缠住，并放置在支架内部。最后固定好支架下方的活动板。



- 5) 安装完成后请再次检查。检查完毕后设备上电，可进行其他操作。

平面底装

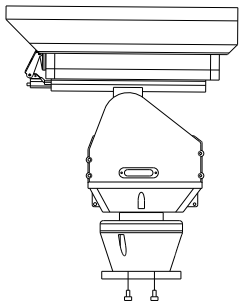
- 我司选配安装底板尺寸



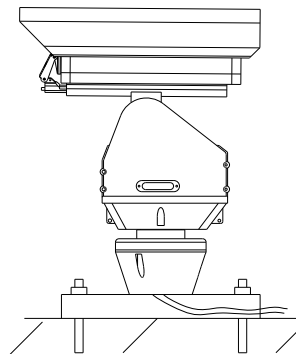
- 安装步骤

单位: mm

- 1) 参照安装底板的定位孔在地面上打孔;
- 2) 使用M6x16的螺丝将安装底板固定到云台;
- 3) 将装有安装底板的云台固定在安装面上, 安装底板下方有引线槽。在安装时将线置于槽中, 要注意不要压到线;



① 将安装底板固定到云台



② 将云台固定在安装面, 线缆置于引线槽中

【注意】安装底板支持侧面出线 and 底部出线两种方式。图示操作方法为侧面出线方式。采用侧面出线方式时，需使用钳子钳开底板引线槽出线口。

4) 安装完成后，连接线缆。检查完毕后设备上电，可进行其他操作。

五 登录客户端

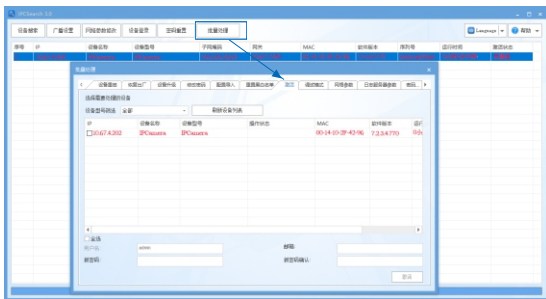
1. 最低配置和系统环境

- 处理器：3.3GHz 酷睿®i3 系列及以上或相同性能的其他处理器
- RAM内存：4GB及以上
- 操作系统：Windows7操作系统或更高版本
- 浏览器：推荐使用IE内核浏览器，使用其他内核浏览器会影响客户端部分功能的使用
- DirectX：9.0c

2. 设备激活

第一次使用时请安装运行IPCSearch，在IPCSearch中将显示设备的IP地址、网关等信息。若IPC设备所接入的网络有DHCP服务，DHCP服务器将自动给IPC设备分配IP地址。

- 批量激活：在IPCSearch中选中设备，点击**批量处理**，在弹出的界面中设置admin用户的密码和找回密码时所需的邮箱，点击**激活**，激活设备。待设备重启。
- 单个激活：在IPCSearch中选择设备，单击右键，选择**设备激活**。填写用户名、密码、找回密码时所需的邮箱。点击**激活**，激活设备。待设备重启。
- Web客户端激活：将PC机IP地址与设备IP地址设为同一网段，进入Web端登录界面。可在该界面设置管理员和找回密码所需的邮箱，点击**激活**，激活设备。



3. 修改设备IP

点击**修改网络参数**，在弹出的界面中配置网络参数。静态分配IP地址时，请选择自定义地址，填写以太网参数。修改参数配置，需要填写管理员用户用户名（admin）及激活设备时设置的密码。完成IP配置后，设备将自动重启。

4. 登录设备

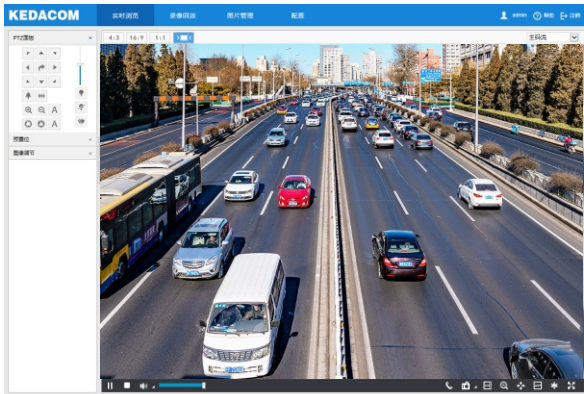
1) 在IPCSearch中双击设备或点击**设备登录**，输入用户名和密码，登录Web客户端；



2) 登录成功后，根据提示下载并安装视频插件；

3) 进入客户端后，便可直接浏览图像。

【说明】不同型号的设备，浏览界面略有差异，请以实际界面为准。更多客户端操作说明请参考客户端帮助文档。



附录一 AC 24V线径与传输距离关系表

当线径大小一定, AC 24V电压损耗率低于10%时, 不同传输功率推荐的最大传输距离。(对于AC 24V交流供电设备, 其最大允许电压损耗率为10%。下面表格中所用线缆均为铜线, 铜的电阻率为 $\rho = 0.0175\Omega \cdot \text{mm}^2/\text{m}$)

距离m (feet) 功率W \ 线径 mm	0.8 (20AWG)	1.0(18AWG)	1.25(16AWG)	2.0(12AWG)
5	122 (401)	194 (636)	307 (1008)	781 (2562)
10	61 (201)	97 (318)	154 (504)	391 (1281)
15	41 (134)	65 (212)	102 (336)	260 (854)
20	31 (100)	48 (159)	77 (252)	195 (641)
25	24 (80)	39 (127)	61 (202)	156 (512)
30	20 (67)	32 (106)	51 (168)	130 (427)
35	17 (57)	28 (91)	44 (144)	112 (366)
40	15 (50)	24 (79)	38 (126)	98 (320)
45	14 (45)	22 (71)	34 (112)	87 (285)
50	12 (40)	19 (64)	31 (101)	78 (256)
55	11 (36)	18 (58)	28 (92)	71 (233)
60	10 (33)	16 (53)	26 (84)	65 (214)
65	9 (31)	15 (49)	24 (78)	60 (197)
70	9 (29)	14 (45)	22 (72)	56 (183)
75	8 (27)	13 (42)	20 (67)	52 (171)
80	8 (25)	12 (40)	19 (63)	49 (160)
85	7 (23)	11 (37)	18 (59)	46 (151)
90	7 (22)	11 (35)	17 (56)	43 (142)
95	6 (21)	10 (33)	16 (53)	41 (135)
100	6 (20)	10 (32)	15 (50)	39 (128)

【备注】 线径要求适用于单根、实心、圆形的铜线, 多股绞线的电缆AWG 值是由所有线的总横截面积决定。

保修说明

本保修卡适用于您购买的本公司系列产品。

- 1.免费保修期一年（仅限中国大陆地区，中国大陆以外地区请参考英文说明）。
- 2.凡保修期内，由于本产品自身引起的故障，请与公司售后服务部联系。
- 3.保修时我们将使用您的保修卡信息，请认真填写。
- 4.以下情况，属于有偿保修范围：
 - 人为原因造成的设备故障
 - 因使用环境不符合本产品要求造成的故障
 - 因不可抗力造成的产品损坏
 - 无保修卡
 - 已过免费保修期

用户信息

用户名称：

详细地址：

传真：

电话：

邮箱：

邮编：

产品名称：

产品型号：

购买日期：

I. Preface

Thank you for purchasing our product. If there is any question, please do not hesitate to contact us.

These instructions are intended to ensure that the user can use the product correctly to avoid danger or property loss. Please read this Guide carefully before using the product, and keep it properly for future reference. If the product cannot work normally or is damaged because the user does not follow the safety instructions, we shall not assume any responsibility. Thanks for your cooperation.

II. Safety Instruction

1. Power Supply

- During installing and using the device, please follow local electrical safety regulations strictly.
- Please use power supply in the safe voltage range of our product. Make sure if the power supply is correct before running the device.
- Please install an easy-to-use breaker during installation and wiring in case it is necessary to make an emergency break.
- Please prevent the power cord from being trampled or pressed especially the plug, socket and the connecting part led out from the device.
- Please connect network cables or power cord with the power off. Hot-line wiring is not allowed.

2. Working Environment

- Please use the attached power adaptor as using unqualified power adaptor may damage the device.
- Do not focus the camera lens on strong light such as the sun or incandescent lamp; otherwise the strong light will cause overexposure or light leak (not camera malfunction), which may shorten camera lifetime.
- Please transport, use and store the device within defined humidity and temperature ranges.
- Do not expose it in damp, dusty, extremely hot or cold places or places with intense electromagnetic radiation or with unstable lighting.
- Keep the camera away from water or any liquid to avoid damage to internal components.
- While shipping the camera, pack it in the factory packing or use materials with equivalent quality.
- When shipping, storing and installing the device, try to prevent it from damages caused by pressure, violent vibration and soaking.
- Do not install the device on unstable bracket, wall or roof, otherwise damage or injury may be caused to the device or the people.

Working Environment		
Power Supply	AC24V±10%, 3A	
Condition	Waterproof, Anti-interference, Lightning Protection	
Temperature & Humidity	Temp.	-30 °C~+60 °C
	Humidity	0%~90% (non-condensing)

3. Daily Maintenance

- Do not touch the heat component of the device directly to avoid empyrosis.
- When the lens is contaminated by dust or grease, use cotton cloth or lens clean cloth to wipe it off. When it is hard to clean, dip some lens cleanser and wipe gently and rotate outward from the middle until it is clean. Never apply any organic solvent such as ethanol or benzene to clean the lens and housing.
- Do not disassemble or repair the device in any way by yourself. We shall not assume any responsibility for problems caused by unauthorized repair or maintenance.
- If the product does not work properly, please contact your dealer or the nearest service center.

4. Special Statement

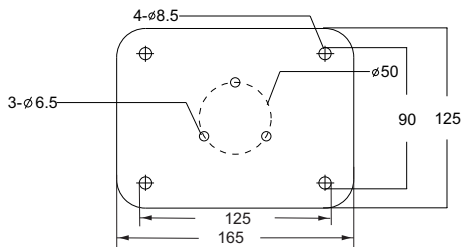
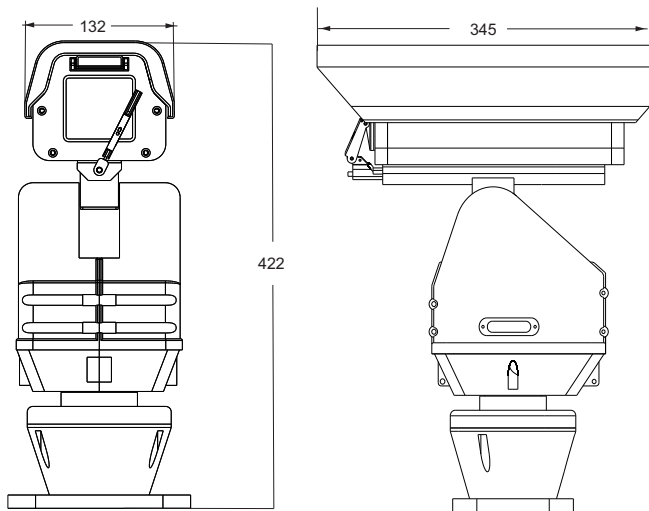
- The product appearance is subject to the actual device and picture in this Guide is for reference only..
- Every effort has been made to ensure the accuracy and validity of this Guide. Any update of this Guide caused by version upgrade is subject to change without notice.
- This Guide is made for multiple models but it will not illustrate one by one. Please refer to it according to the actual products you are using.
- This device can be used after being activated through IPCSearch (download it from <https://www.kedacom.com/cn/softtools/index.jhtml>). During activation please fill a valid email address for finding back the password.
- To ensure the safety of device on internet, it is strongly recommended that you set a strong password which is composed of at least 2 kinds of the following, numbers, upper-case or lower-case letters or specific symbols, with length of 8 to 16 bits. Please modify the password periodically and once every 3 months is recommended. If the device is used in highly risky environment, suggest modifying the password monthly or weekly. Please keep your user name and password safe.

- Accessing this device to the internet is at user's own risk, including but not limited to the possible network attack, hacker attack, virus infection and etc. This company will not assume any responsibility for problems of product abnormality and information disclosure caused thereof. We shall provide technical support relating to the products in time.
- For the latest documents, please refer to the software package.

III. Appearance

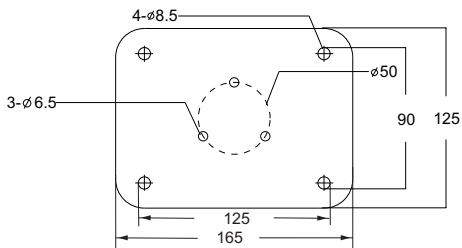
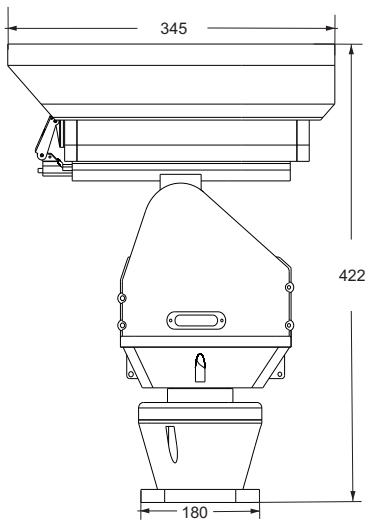
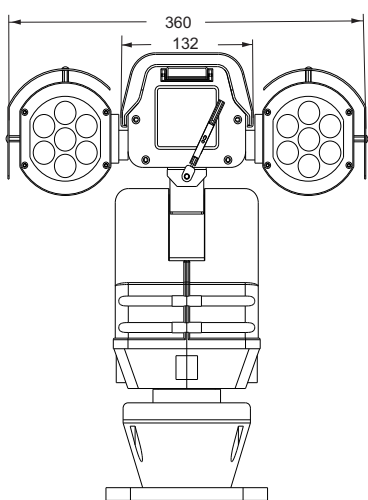
Dimensions:

Non-IR Type



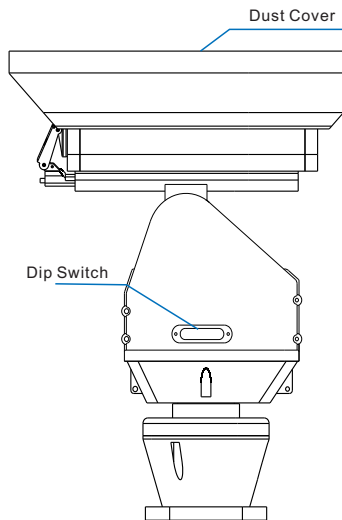
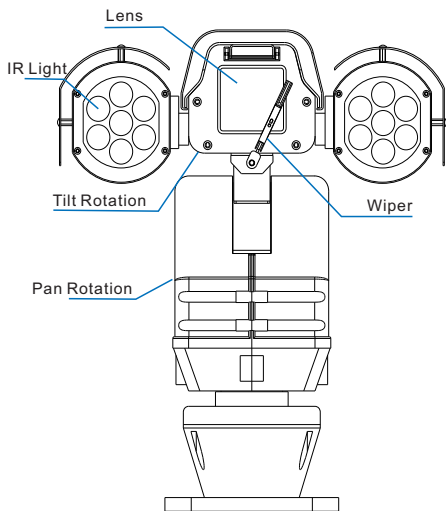
Unit: mm

IR Type



Unit: mm

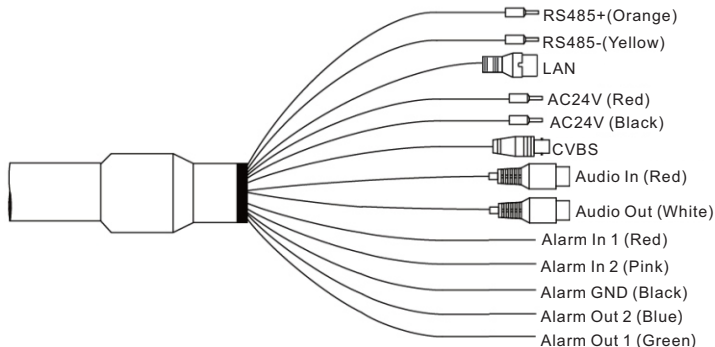
Components



Weight: 14.5kg (Non-IR)
16.0kg (IR)

- Attention:** 1) The IR type has the same components as the non-IR type except the IR lights.
2) Keep factory default setting for the dip switch and never modify the setting by yourself unless it is inevitable.

Buttcock Line

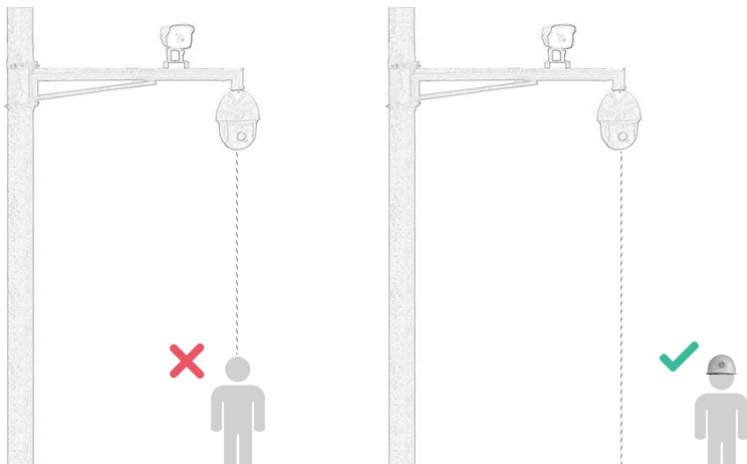


Wire Name	Color	Function
RS485+	Orange	RS-485 serial port, connect to external devices for control such as keyboard
RS485-	Yellow	
LAN	-	RJ45 port, connect to network device
AC24V	Red	Power supply, connect to AC24V, regardless of positive or negative poles
AC24V	Black	
CVBS	-	Video output, output analog video signal
Audio In	Red	Audio input, inputting audio signal; connect to sound pick-up
Audio Out	White	Audio output port, for outputting audio signal; connect to loudspeaker box
Alarm In 1	Red	Alarm input port, for inputting alarm signal; connect to voice-operated switch and etc.
Alarm In 2	Pink	
Alarm GND	Black	Alarm grounding port
Alarm Out 1	Green	Alarm output port, for outputting alarm signal, regardless of positive or negative poles; connect to alarm light
Alarm Out 2	Blue	

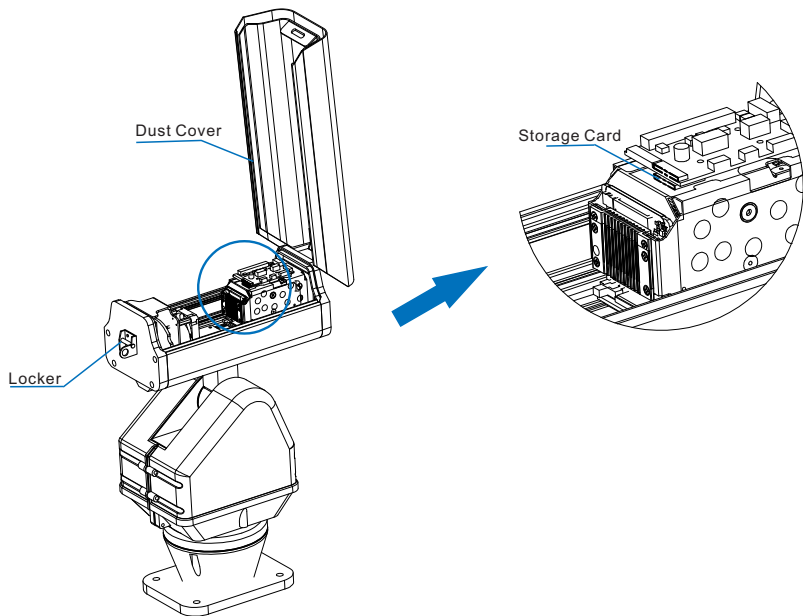
IV. Installation

1. Safety Instructions

- Make sure there is enough space for mounting the camera and its accessories.
- Make sure the wall can bear the weight as heavy as 8 times of the total weight of the camera and the accessories.
- On roads without height limits, the suggested installation height of the camera should be higher than 5m so as to reduce friction to the camera.
- To prevent the device from dropping, the camera must be installed with a safety hook during installation.
- During installation, no man shall be allowed to move around in 2m under the camera, and all men should wear a safety helmet.



2. Install Storage Card (Optional)



Steps: Unlock the locker and open the dust cover. Insert Micro SD card, max 256G supported. Then close the dust cover and lock the locker tight enough; otherwise water may penetrate inside.

Attention: Hot-swapping of storage card is not suggested. The storage card should be formatted during first use.

2. Pre-Installation Inspection

- Make sure there is enough space for the device and the accessories.
- Make sure that the mounting wall could bear as heavy as 8 times of the total weight of the device and its accessories.

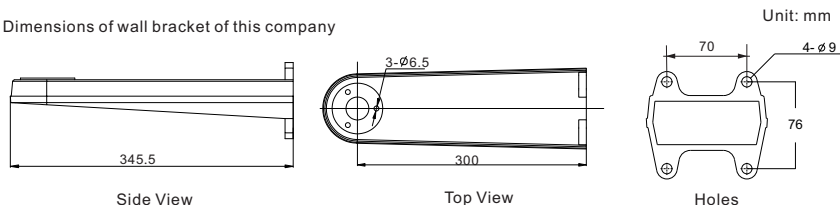
3. Installation Methods

The device supports wall mount and flat base mount. This guide will take the non-IR type as an example to introduce the installation steps, which is the same as that of IR type device.

Attention: All brackets are optional.

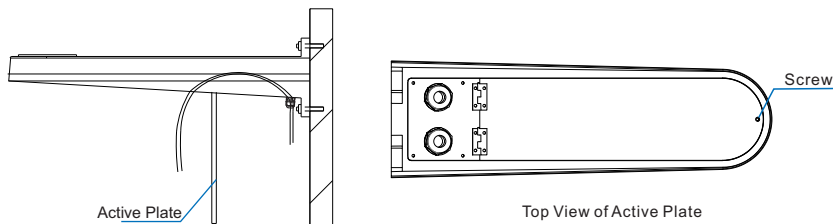
Wall Mount

- Dimensions of wall bracket of this company

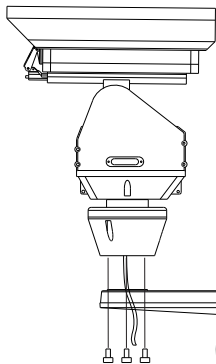


- Installation steps

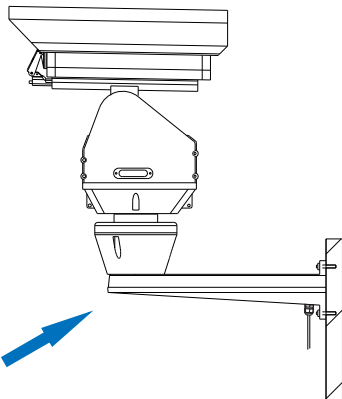
- 1) Draw installation holes on the wall according to the holes on the base of the wall bracket and drill holes thereon; then insert the expansion screws into the holes.
- 2) Fix the bracket onto the wall.
- 3) Under the bracket is an active plate. Unscrew the screw at front to take down the active plate and thread the



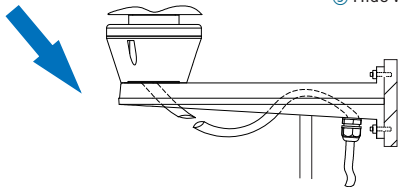
- 4) Thread out the buttcock line of the camera from the active plate and mount the PTZ holder onto the bracket. Tighten the screw from beneath the bracket to fix the PTZ holder. Make sure you are using screw of M6x20. Connect the wires and bind the connection part with insulating tape and put it inside the bracket. Finally, fix the active plate under the bracket.



- ① Thread the buttcock line out from the active plate and fix the camera



- ③ Hide wires and fix the active plate

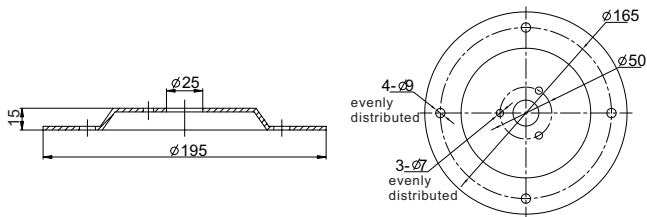


- ② Connect wires of power supply and network

- 5) After finish installation, please inspect again and then power on the device and perform other operations.

Flat Base Mount

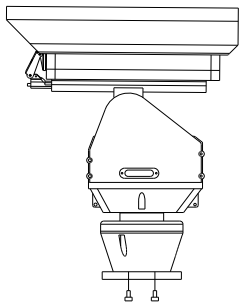
- Dimensions of flat base of this company



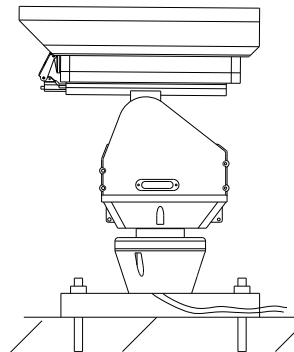
Unit: mm

- Installation steps

- 1) Drill holes on the ground according to the indication on the flat base.
- 2) Use screws of M6x16 to fix the flat base onto the PTZ holder.
- 3) Fix the PTZ holder with the flat base onto the mounting surface. There is a wire slot under the flat base for placing the wires during installation. Please do not press on the wires.



- ① Fix the flat base onto the PTZ holder



- ② Fix the PTZ holder onto the mounting surface and put the wires inside the slot

Attention: When installing the flat base, it supports side wiring and bottom wiring. The above introduction is side wiring. When threading wires from side, use pliers to open the wire outlet of the slot on the flat plate.

4) After finish installation, connect the wires. Inspect and power on the device and perform other operations.

V. Login to the Web Client

1. Minimum system configuration and environment requirements:

- Processor: 3.3 GHz CORE®i3 series or other equivalent processors
- RAM Memory: 4GB or above
- Operating System: Windows 7 or higher versions
- Browser: recommend IE kernel browsers, otherwise some functions of the web client may fail
- DirectX : 9.0c

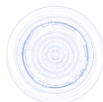
2. Device Activation

When using the device for the first time, run IPCSearch and it will search devices in LAN automatically and display the list of device IP address, gateway and etc. If the network provides DHCP service, DHCP server will assign IP for the camera automatically.

- Batch: Select the device from IPCSearch and click "**Batch processing**". In the popup interface, set admin user's password and the email address to find back the password. Click "**Activate**" and wait for rebooting.
- Individual: Select the device from IPCSearch and right click to select "**Active**". Fill admin user name and password and the e-mail address to find back the password. Click "**Activate**" and wait for rebooting.
- Web client: the device can also be activated through the web client. Set PC and the device in the same network segment and login to the web. User can set admin password and password reset email on the interface and click "**Activate**".

The screenshot shows the IPCSearch 3.0 software interface. The main window has a menu bar with options: Search, BroadSet, Modify Params, Login, Password Reset, Batch Processing, Language, Setting Column, Export Device, and Help. The 'Batch Processing' dialog box is open, displaying the 'Upgrade' tab. The dialog contains a table for selecting devices to be processed, with columns for IP, Alias, Device Type, Operation Status, MAC, Version, and Run. Below the table, there are input fields for Username (admin), New Password, Email, and PWD Confirm, along with an 'Activate' button.

Login



admin

admin

Weak Strong

Please choose a password with 8-16 characters. Your password must also contain two or more combinations of upper and lowercase letters, numbers, and symbols.

admin

admin

When admin's password gets lost, find it back through this email. Make sure this email address is safe and valid.

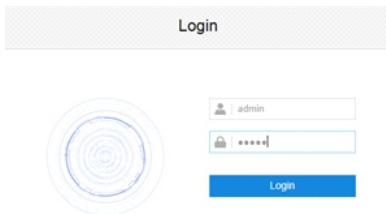
Active

3. Modify Device IP Address

Click **"Modify Params"** and set the network parameters. When configuring a static IP for the camera, please check **"Custom device address (Close DHCP)"** and fill the Ethernet parameter. During the modification, the user name (admin) and the password set before activation should be entered. After configuration, the camera will reboot automatically.

4. Login to the Device

- 1) Double click the device in IPCSearch or click "**Login**". Enter user name and password to login the web client.



- 2) After login, download and install the video plug-in.
- 3) Re-login to the web client and view live video directly.

[Note]: Interface of different models may differ. Please subject to the actual products. Please refer to the *Help* file for detailed explanation.



Appendix I: AC 24V Wire Diameter VS. Transmission Distance

The recommended max transmission distance when the wire diameter is certain and the AC24V voltage loss rate is less than 10%

(For AC24V powered devices, the maximum allowed voltage loss rate is 10%. All the wires in the following table are cooper wires, whose electrical resistivity is $\rho = 0.0175\Omega \cdot \text{mm}^2/\text{m}$)

Distance m (feet) Power W	Diameter mm 0.8 (20AWG)	1.0(18AWG)	1.25(16AWG)	2.0(12AWG)
5	122 (401)	194 (636)	307 (1008)	781 (2562)
10	61 (201)	97 (318)	154 (504)	391 (1281)
15	41 (134)	65 (212)	102 (336)	260 (854)
20	31 (100)	48 (159)	77 (252)	195 (641)
25	24 (80)	39 (127)	61 (202)	156 (512)
30	20 (67)	32 (106)	51 (168)	130 (427)
35	17 (57)	28 (91)	44 (144)	112 (366)
40	15 (50)	24 (79)	38 (126)	98 (320)
45	14 (45)	22 (71)	34 (112)	87 (285)
50	12 (40)	19 (64)	31 (101)	78 (256)
55	11 (36)	18 (58)	28 (92)	71 (233)
60	10 (33)	16 (53)	26 (84)	65 (214)
65	9 (31)	15 (49)	24 (78)	60 (197)
70	9 (29)	14 (45)	22 (72)	56 (183)
75	8 (27)	13 (42)	20 (67)	52 (171)
80	8 (25)	12 (40)	19 (63)	49 (160)
85	7 (23)	11 (37)	18 (59)	46 (151)
90	7 (22)	11 (35)	17 (56)	43 (142)
95	6 (21)	10 (33)	16 (53)	41 (135)
100	6 (20)	10 (32)	15 (50)	39 (128)

[Note]: The requirements of diameter apply to single, solid and round cooper wire. The AWG value of multi-stranded wires depends on the total CSA (Cross Sectional Area) of all wires.

Kedacom Two (2) Year Limited Hardware Warranty

WHAT IS COVERED BY THIS WARRANTY?

Kedacom warrants the Kedacom-branded hardware product and accessories contained in the original packaging (hereinafter referred to as "Kedacom Product") against defects in materials and workmanship when used normally in accordance with Kedacom's published guidelines for a period of TWO (2) YEARS from the date of original retail purchase in areas other than mainland China by the end-user purchaser (hereinafter referred to as "Warranty Period"). For the Kedacom Product purchased in mainland China, see the simplified Chinese version of this warranty for details. Kedacom's published guidelines include but are not limited to information contained in technical specifications, user guides, and service communications. The preceding applies unless otherwise agreed in the contract.

WHAT IS NOT COVERED BY THIS WARRANTY?

This warranty does not apply to any non-Kedacom branded hardware products or any software, even if packaged or sold with Kedacom hardware. Manufacturers, suppliers, or publishers, other than Kedacom, may provide their own warranties to you but Kedacom, in so far as permitted by law, provides their products "AS IS". Software distributed by Kedacom with or without the Kedacom brand (including, but not limited to system software) is not covered by this warranty. Please refer to the licensing agreement accompanying the software for details of your rights with respect to its use. Kedacom does not warrant that the operation of the Kedacom Product will be uninterrupted or error-free. Kedacom is not responsible for damage arising from failures to follow instructions relating to the Kedacom Product's use.

This warranty does not apply: (a) to consumable parts, such as batteries, unless failure has occurred due to a defect in materials or workmanship; (b) to cosmetic damage, including but not limited to scratches, dents, and broken plastic on ports; (c) to damage caused by use with another product; (d) to damage caused by acts outside the control of Kedacom, including without limitation acts of God, accidents, abuse, misuse, fire, storms, earthquakes, flood, or other external cause; (e) to damage caused by exposure of the product to heat, bright light, sun, liquids, sand, or other contaminants; (f) to damage caused by operating the Kedacom Product outside Kedacom's published guidelines; (g) to damage caused by service (including upgrades and expansions) performed by anyone other than a representative of Kedacom, Kedacom employee, or authorized Kedacom agent; (h) to an Kedacom Product that has been modified to alter functionality or capability without the written permission of Kedacom; (i) to defects caused by normal wear and tear or otherwise due to the normal aging of the Kedacom Product, or (j) if any serial number has been removed or defaced from the Kedacom Product.

YOUR RESPONSIBILITIES

If your Kedacom product is capable of storing data and other information, you should make periodic backup copies of the information contained on the storage media to protect the contents and as a precaution against possible operational failures.

Before receiving warranty service, Kedacom or its authorized agents may require that you furnish proof of purchase details, respond to questions designed to assist with diagnosing potential issues, and follow Kedacom's procedures for obtaining warranty service. Before submitting your Kedacom Product for warranty service, you should maintain a separate backup copy of the contents of its storage media, remove all personal information that you want to protect, and disable all security passwords.

During warranty service, it is possible that the contents of the Kedacom product's storage media will be lost, replaced or reformatted. In such an event, Kedacom and its authorized agents are not responsible for any loss of data or other information contained on the storage media or any other part of the Kedacom product serviced.

Following warranty service, your Kedacom Product or a replacement product will be returned to you as your Kedacom Product was configured when originally purchased, subject to applicable updates. You will be responsible for reinstalling all other data and information. Recovery and reinstallation of other data and information are not covered under this warranty.

WHAT WILL KEDACOM DO IF THE WARRANTY IS BREACHED?

If during the Warranty Period, you submit a valid claim to Kedacom or an authorized Kedacom agent, Kedacom will, at its option, (i) repair the Kedacom Product using new or previously used parts that are equivalent to new in performance and reliability, or (ii) exchange the Kedacom Product for a refund of your purchase price.

A Kedacom replacement part or product, including a user-installable Kedacom part that has been installed in accordance with instructions provided by Kedacom, assumes the remaining warranty of the Kedacom Product or ninety (90) days from the date of replacement or repair, whichever provides longer coverage for you. When a product or part is replaced or a refund provided, any replacement item becomes your property and the replaced or refunded item becomes Kedacom's property. Kedacom reserves the right to refund the purchase price as its exclusive warranty remedy.

HOW TO OBTAIN WARRANTY SERVICE?

To seek warranty service, please contact a local authorized Kedacom agent. When contacting the agent via telephone, other charges may apply depending on your location.

User Information

Complete the form below and keep for ready reference.

User Name:	
Address:	Postal Code:
Tel:	Mobile:
Fax:	E-Mail:
Product Name:	Product Model:
Date of Purchase:	

客户咨询热线：400-828-2866

KEDACOM

苏州科达科技股份有限公司

Suzhou Keda Technology Co.,Ltd.

中国: 江苏省苏州市高新区金山路131号(215011)

Tel: +86-512-6841 8188 Fax: 86-512-68412699

Suzhou Keda Technology Co.,Ltd.

Singapore: 627A Aljunied Road, #09-07, BizTech Centre, Singapore 389842

Tel: +65-6842-5700 Fax: +65-6842-5900

05.03.800991 (V2.1) 20200727